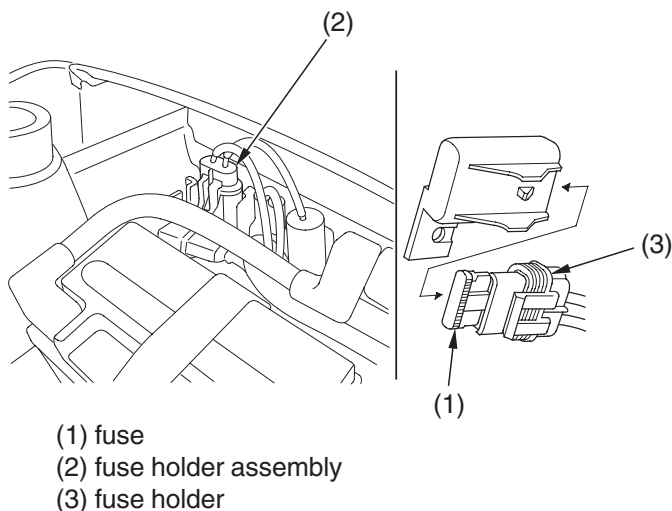


If a Fuse Blows

Main Fuse Access

UNDER SEAT



1. To prevent an accidental short circuit, turn the ignition switch OFF (O) before checking or replacing the fuses.
 2. To access the fuse (1), remove the seat (page 94).
 3. Remove the fuse holder assembly (2).
 4. Pull the old fuse out of the fuse holder (3).
 5. Push the new fuse into the fuse holder.
- If you do not have a replacement fuse with the proper rating for the circuit, install one with a lower rating.

NOTICE

Replacing a fuse with one that has a higher rating greatly increases the chance of damage to the electrical system.

6. Install the fuse holder assembly and seat.