

To adjust the air-fuel mixture:

1. Turn the pilot screw (2) clockwise until you hear the engine miss or decrease in speed.
2. Then turn the screw counterclockwise until the engine misses or decreases in speed again.
3. Center the pilot screw exactly between the two extreme positions. Usually, the correct setting (between extremes of rich and lean) will be found at 2-7/8 turns open from a fully closed position.
4. If idle speed changes after adjusting the fuel mixture, readjust the throttle stop screw.

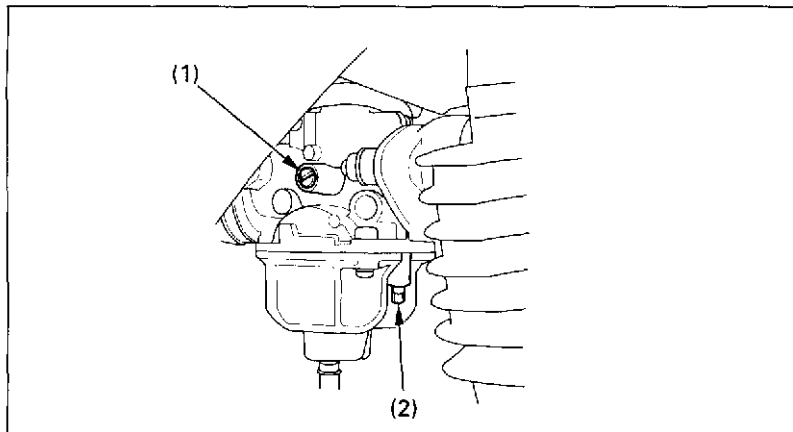


Fig. 4-9

(1) Throttle stop screw

(2) Pilot screw