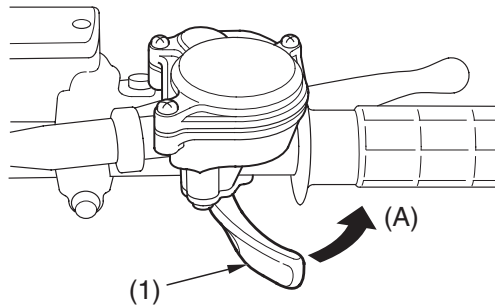




Controls & Features

Throttle Lever

RIGHT HANDLEBAR



- (1) throttle lever
(A) to open the throttle



The throttle controls engine rpm (speed). To increase engine rpm, press the throttle lever (1) with your thumb. To reduce engine rpm, release pressure on the throttle lever. The throttle will automatically return to the closed position (engine idle) when you remove your thumb.

Clutch Lever/Parking Brake Lever

The clutch lever/parking brake lever is used to disengage the clutch whenever shifting gears, starting and stopping. To operate, pull the clutch lever/parking brake lever in all the way before shifting, then slowly release it after shifting. See *Clutch System*, page 106.

Your ATV will not stall even if you stop in gear without disengaging the clutch.

20 Indicators & Controls

