

## FUEL TANK

### Fuel Fill Cap

After refueling, be sure to tighten the fuel fill cap (Fig. 2-16) until it clicks.

Insert the breather tube ( 2 ) into the handlebar cover hole ( 3 ).

To refuel refer to page 84 .

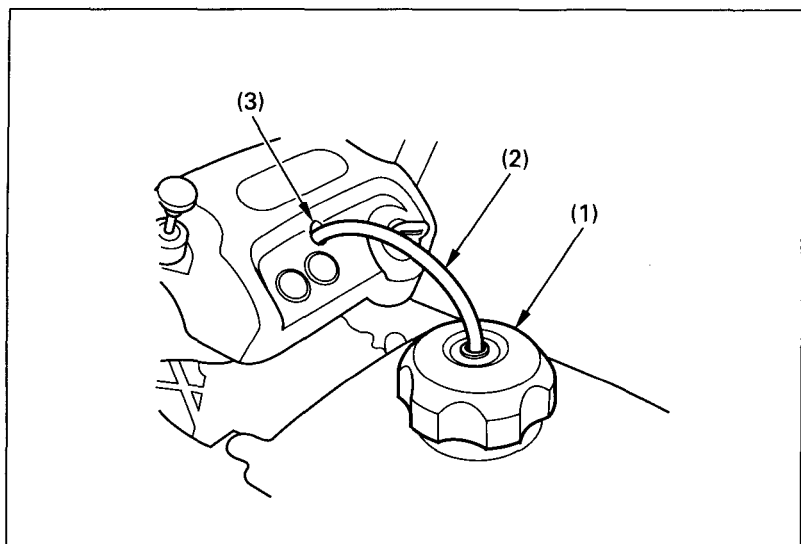


Fig. 2-16 (1) Fuel fill cap

(2) Breather tube  
(3) Handlebar cover hole