

FUSE

As illustrated in Fig. 4-21, the fuse (1) is located next to the air cleaner case cover behind the seat.

The specified fuse is:

15A

If a fuse fails frequently, it usually indicates a short circuit or an overload in the electrical system. See your authorized Honda dealer for repair.

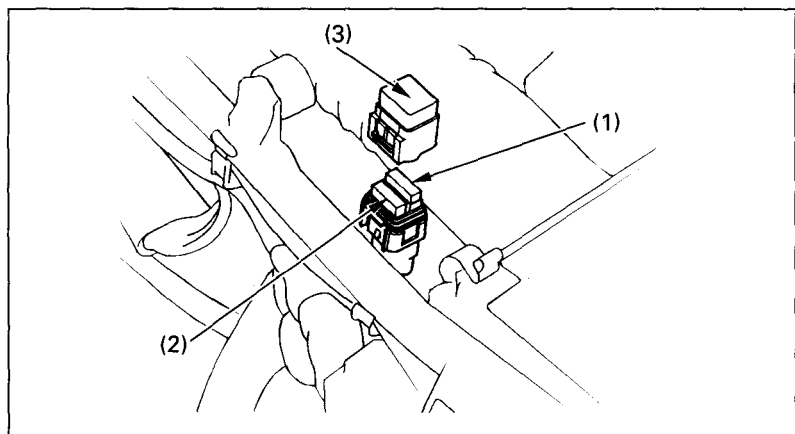


Fig. 4-21

(1) Fuse
(2) Spare fuse

(3) Fuse box cover