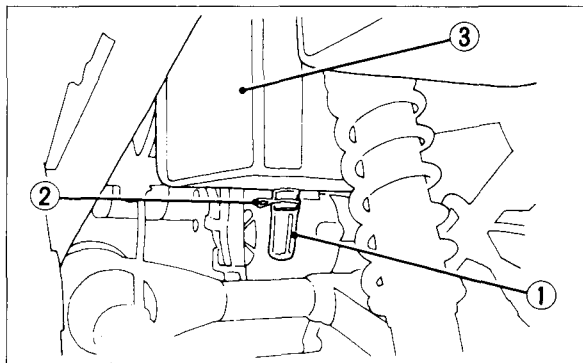


AIR CLEANER CASE DRAIN TUBE

The drain tube (1) should be serviced in accordance with the MAINTENANCE SCHEDULE on page 47.

If deposits can be seen in the drain tube, the drain tube must be cleaned before starting the vehicle.

1. Remove the drain tube (1) by removing the clip (2) and drain the deposits.
2. Reinstall the drain tube with the clip.



(1) Drain tube

(3) Air cleaner case

(2) Clip