

## ENGINE OIL AND FILTER

Engine oil should be changed in accordance with the maintenance schedule. Use motor oils of the grade and viscosity recommended on page 25.

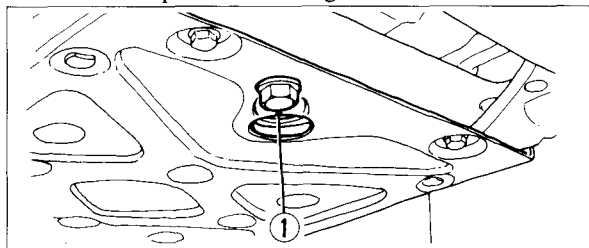
When changing oil, drain the oil from the crankcase while the engine is still warm. This will ensure complete and rapid draining.

### CAUTION:

\* *Used engine oil may cause skin cancer if repeatedly left in contact with the skin for prolonged periods. Although this is unlikely unless you handle used oil on a daily basis, it is still advisable to thoroughly wash your hands with soap and water as soon as possible after handling used oil.*

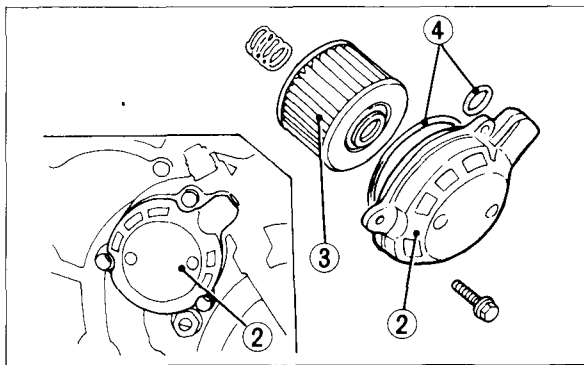
### NOTE:

\* Please dispose of used engine oil in a manner that is compatible with the environment. We suggest you take it in a sealed container to your local service station for reclamation. Do not throw it in the rubbish or pour it on the ground.



(1) Oil drain plug

1. With the **BIG RED** on level ground, remove the oil filler cap from the right crankcase cover.
2. Place an oil drain pan under the crankcase and remove the oil drain plug (1).
3. Remove the oil filter cover (2) by removing the screws. Let the remaining oil drain out. Discard the oil filter (3).
4. Check that the oil filter cover O-rings (4) are in good condition and then install the new oil filter with the rubber seal on oil filter facing out and install the cover using the bolts. Tighten the bolts securely.



(2) Oil filter cover

(3) Oil filter

(4) O-rings