

TOOL KIT

A tool kit (Fig. 4-1) is provided with your TRX300FW and stored in the storage compartment behind the seat. The tools in the kit are sufficient to perform routine maintenance and simple repairs. Any extensive work requiring additional tools should be performed by your authorized Honda dealer.

The tool kit includes the following items:

- * Standard/Phillips screwdriver
- * Screwdriver handle
- * 10 x 12 mm open end wrench
- * 14 x 17 mm open end wrench
- * Pliers
- * Spark plug wrench and handlebar
- * Tool case

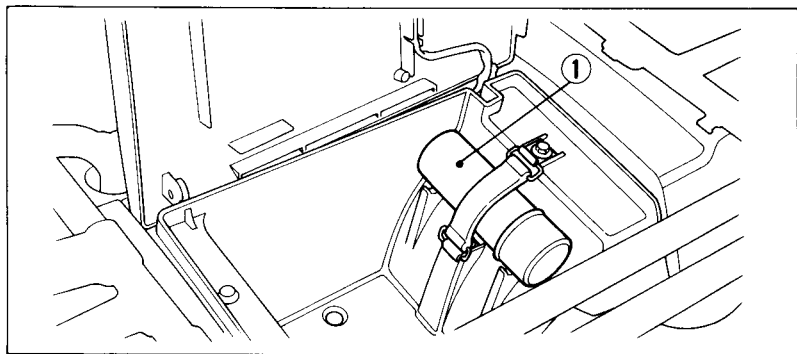


Fig. 4-1

(1) Tool kit