

## PARTS LOCATION AND OPERATION

### PARTS LOCATION

- (1) Rear brake lever  
Parking brake
- (2) Reverse selector knob
- (3) Headlight switch  
Engine stop switch  
Headlight dimmer switch  
Starter button  
Choke lever
- (4) Reverse indicator lamp  
Neutral indicator lamp  
Oil high temperature indicator lamp
- (5) Ignition switch
- (6) Throttle lever
- (7) Front brake lever

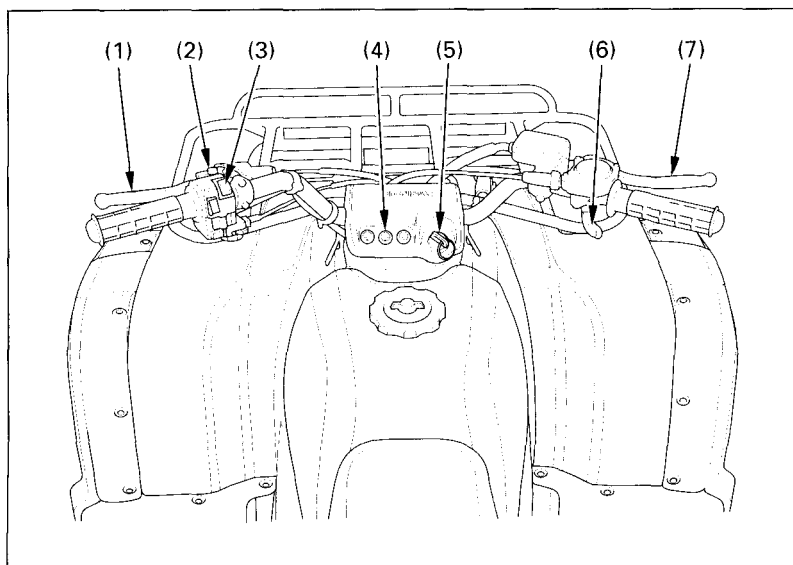


Fig. 2-1

Handlebars, from rider's point of view