

FRONT GEAR CASE OIL

Change the oil in the gear case when specified by the Maintenance schedule. Change the oil with the gear case warm, and the FOURTRAX on level ground to assure complete and rapid draining.

To change the front gear case oil:

1. To drain the oil, first place an oil drain pan under the oil drain plug (Fig. 4-14).
2. Remove the oil filler cap (1) and the drain plug (2).
3. After the oil has completely drained, reinstall the drain plug.

Drain Plug Torque:

12 N·m (1.2 kgf·m , 9 lbf·ft)

4. Fill the gear case with the recommended oil.

Front gear case oil:

190 cm³ (6.4 US oz , 6.7 Imp oz)

Recommended oil:

SAE 10 W - 40

Remove the oil level check bolt (3).

Make sure the oil level reaches the oil level check hole (4).

5. Install the oil filler cap and oil level check bolt.

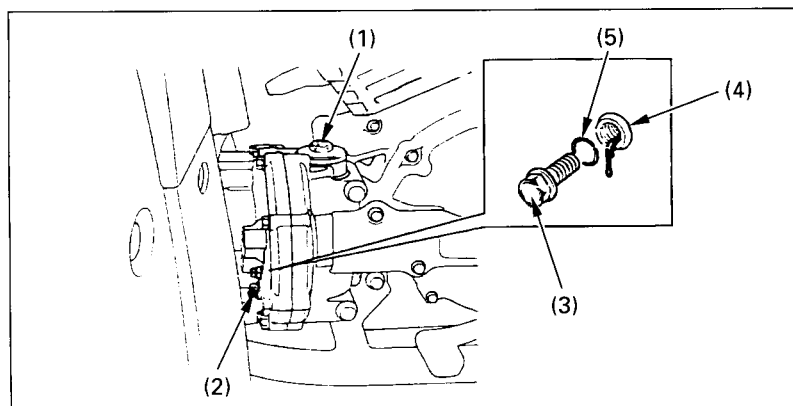


Fig. 4-14

(1) Oil filler cap

(2) Drain plug

(3) Oil level check bolt

(4) Oil level check hole

(5) O-ring