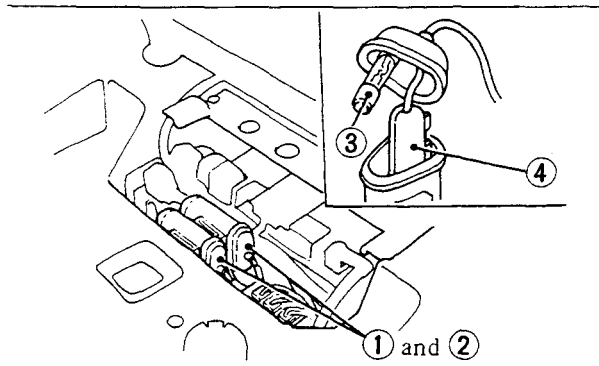


Fuse Replacement

The fuse cases (1) containing the main (2), sub (2) and spare (3) fuses are located in the battery compartment. Both the main and sub fuses are 15A.

NOTE:

* The main fuse is connected to the red wire. When frequent fuse failure occurs, it usually indicates a short circuit or an overload in the electrical system. See your authorized Honda dealer for repair. To replace the fuse, open the fuse holder (4) and lift out the fuse with the clips (5). Slide the old fuse out of the clips and discard it. Slide the clips onto the ends of the new fuse, push them back into the fuse holder, and close the fuse holder.



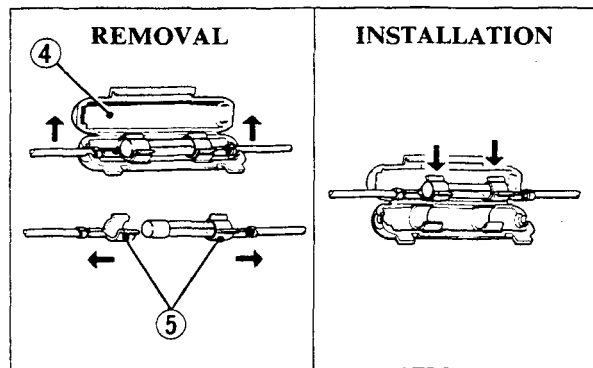
- (1) Fuse cases (3) Spare fuse
(2) Main and sub fuses (4) Fuse holder

WARNING

- * *Never use a fuse with a different rating from that specified. Serious damage to the electrical system or a fire may result, causing a dangerous loss of lights or engine power.*
- * *Do not pry the clips open to get a fuse out; you could bend them and cause poor contact with the new fuse. A loose fuse could cause damage to the electrical system and even start a fire.*

CAUTION:

- * *Turn the ignition switch OFF before checking or replacing the fuse to prevent accidental short-circuiting.*



- (4) Fuse holder (5) Clips