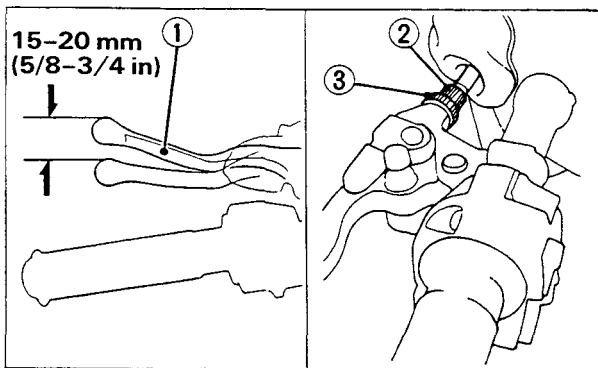


Rear Brake Lever/Parking Brake

Measure the distance the rear brake lever moves before the brake starts to take hold.

Free play, measured at the tip of the brake lever (1), should be within 15—20 mm (5/8—3/4 in). Minor adjustments can be made with the upper adjuster (2) on the front brake lever. Loosen the lock nut (3) and turn the upper adjuster (2). Major adjustments should be made using the lower adjuster (4) located on the brake arm (5).



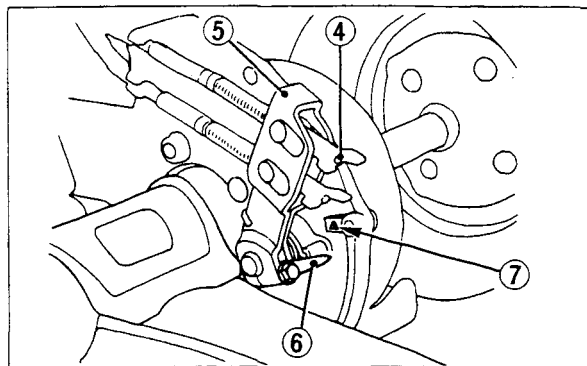
- (1) Brake lever
(2) Upper adjuster

- (3) Lock nut

Wear Indicator:

When the brake is applied, an arrow (6) attached to the brake arm (5) moves toward a reference mark (7) on the brake panel.

If the arrow aligns with the reference mark on full application of the brake, the brake shoes must be replaced. See your authorized Honda dealer for this service.



- (4) Lower adjuster
(5) Brake arm

- (6) Arrow
(7) Reference mark