

3. If the engine is cold, move the choke lever left to the full choke position (see Fig. 2-6).
4. Raise the decompression lever (Fig. 2-10), located on the right side of the engine, to the "Decomp" position (2).
5. Put your foot on the kick starter and depress the pedal from the top of the stroke all the way to the bottom with a rapid, continuous motion. The decompression lever will automatically return to the lowered position.

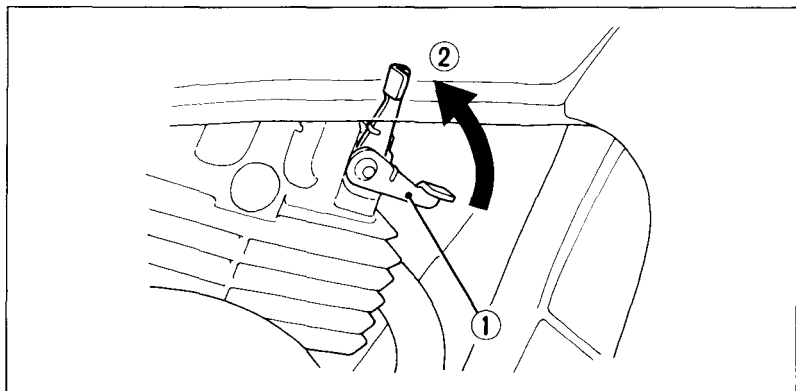


Fig. 2-10 (1) Decompression lever (2) "Decomp" position