

## SPARK ARRESTER

The exhaust system must be periodically purged of accumulated carbon. To purge the system:

1. Select a well-ventilated area and make sure the exhaust pipe is cool.
2. Remove the bolt. (Fig. 4-36)
3. Start the engine and momentarily rev it up several times.
4. Stop the engine and allow the exhaust pipe to cool.
5. Reinstall the bolt securely.

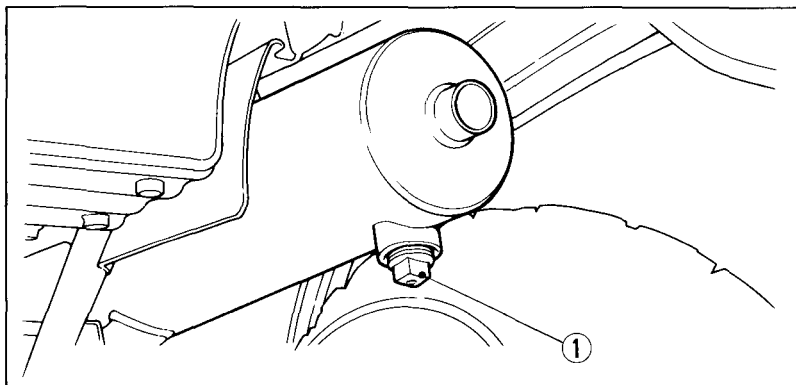


Fig. 4-36

(1) Bolt