

LIGHTS

Headlight and Dimmer Switches

The headlight and dimmer switches (Fig. 2-12) are above the engine stop switch, next to the left handgrip.

Turning the headlight switch (1) ☼ (ON) turns the headlight on. Use the dimmer switch (2) to select either high beam ≡D (HI) or low beam ≡D (LO).

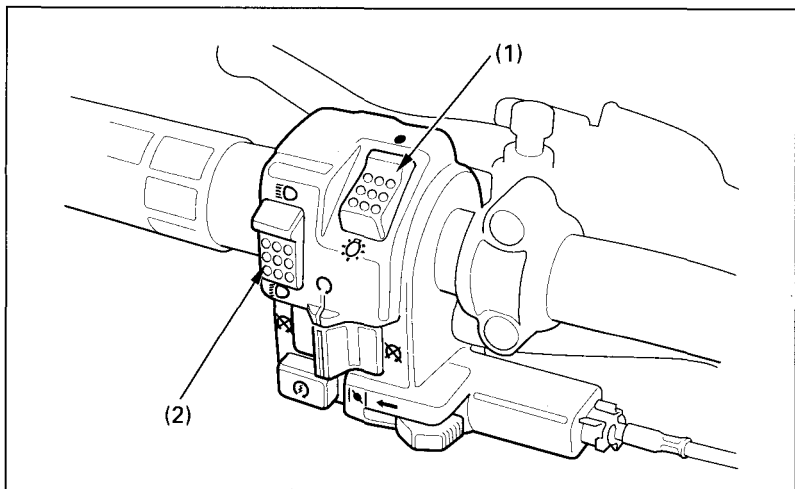


Fig. 2-12 (1) Headlight switch

(2) Dimmer switch

Oil High Temperature Indicator Lamp

If the engine oil gets too hot, the oil high temperature indicator lamp (Fig. 2-13) will light.

NOTE:

The oil high temperature indicator lamp should come on when the ignition switch is turned I (ON). This is not a problem. The light should go off a few seconds after the engine is started.

CAUTION:

If the light does not come on with ignition switch I (ON): check the bulb and replace it if it is burned out.

Contact your authorized Honda dealer for assistance if you cannot correct the problem.