

Owner's Manual Storage

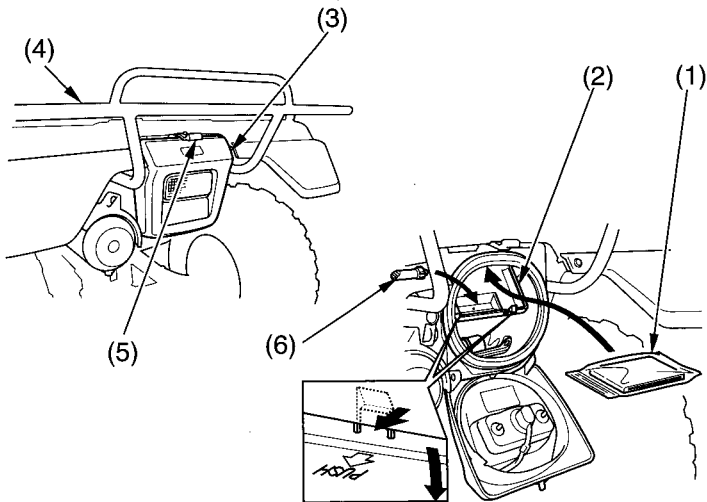
Your ATV provides storage for the owner's manual so you'll have it with you for easy reference. Store your owner's manual (1) in a plastic tray (2) attached to the upper inside the storage compartment (3). The storage compartment is below the rear cargo rack (4).

To open the compartment, unhook the rubber strap (5).

To open the plastic tray, push down on the rear end of the plastic tray. The owner's manual and air pressure gauge (6) should be stored in the plastic tray.

Be careful not to flood this area when washing your ATV.

REAR



- (1) owner's manual
- (2) plastic tray
- (3) storage compartment

- (4) rear cargo rack
- (5) rubber strap
- (6) air pressure gauge