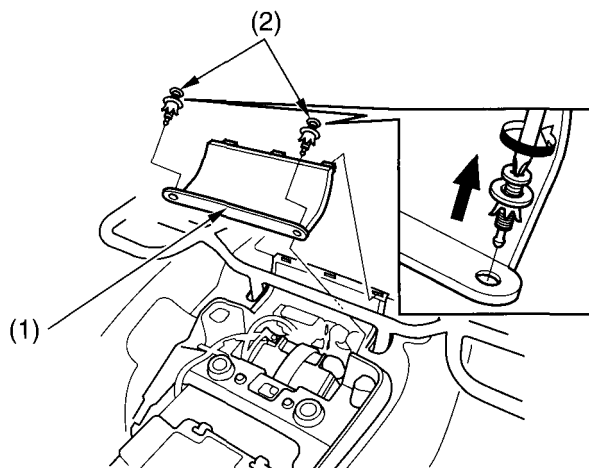


# Battery

The battery is located in a compartment under the seat.

## UNDER SEAT



(1) rear fender lid

(2) clips

1. Make sure the ignition switch is OFF (  $\bigcirc$  ).
2. Remove the seat (page 102).
3. Remove the rear fender lid ( 1 ) by removing the clips ( 2 ).