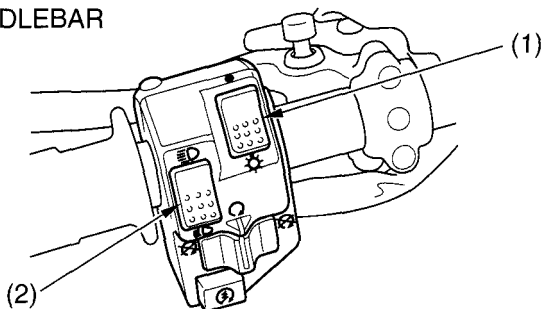


# Controls & Features

## Headlight Switch

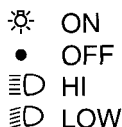


LEFT HANDLEBAR



(1) headlight switch

(2) headlight dimmer switch



The headlight switch ( 1 ) is used to turn the headlight ON ( ☼ ) or OFF ( • ). To operate, turn the switch to ON ( ☼ ) or OFF ( • ).

## Headlight Dimmer Switch



The headlight dimmer switch ( 2 ) is used to change between the high and low beams of the headlight. To operate, turn the switch to HI ( HI ) for high beam, LO ( LO ) for low beam.