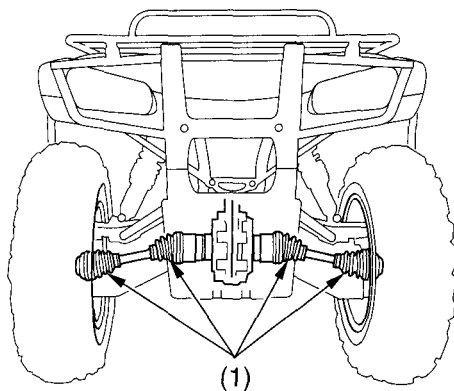


Driveshaft Boots

Refer to *Safety Precautions* on page 87.



(1) driveshaft boots

Check the rubber driveshaft boots (1) for damage or leaking grease. If necessary, have your Honda dealer replace them.