

2. Get off the FOURTRAX while you continue holding the brakes.
3. Shift into neutral, set the parking brake and turn the engine off.
4. Then assess the situation.

If the FOURTRAX starts rolling backwards before you begin braking, keep your weight uphill, apply the front brakes first, then carefully apply the rear brake as well. Do not apply the rear brake only or abruptly if you are rolling backwards, or the vehicle may overturn. If the FOURTRAX continues sliding backwards after you've applied the brakes, get off and away from the vehicle.

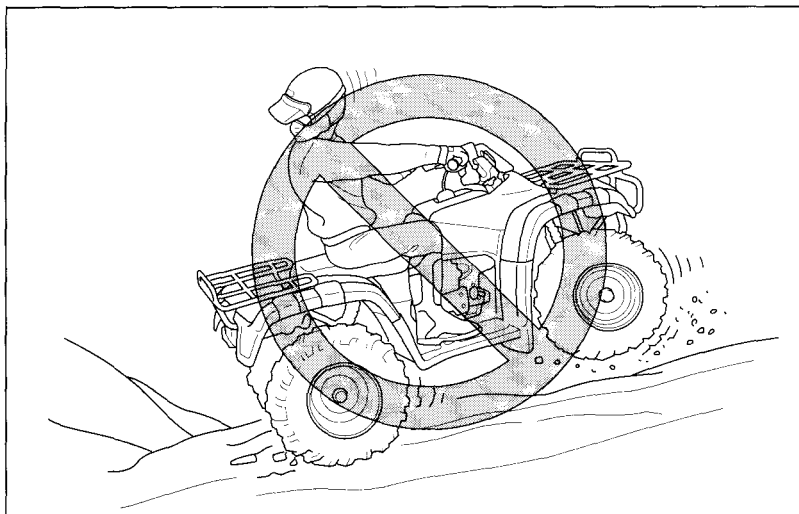


Fig. 3-15 If you roll backwards down a hill, don't apply the rear brake abruptly.