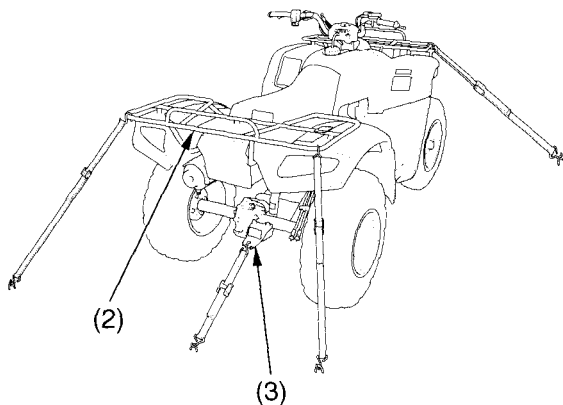
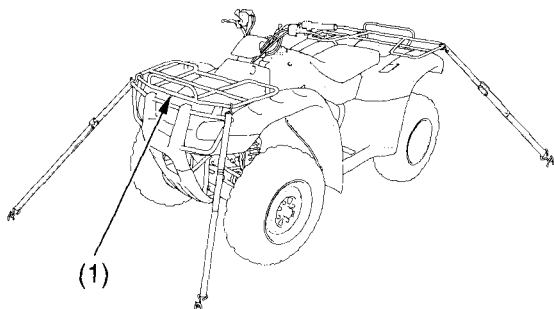


Transporting Your Honda

3. Secure the vehicle with “tie-down straps” in the areas shown.
 - Suitable “tie-down straps” are available from your Honda dealer.
 - Ordinary rope is not recommended because it can stretch under load.
 - Using “tie-down straps” in any other areas can damage your ATV.
4. Rock the vehicle back and forth to make sure the “tie-down straps” are tight and the vehicle is secure.



(1) front cargo rack
(2) rear cargo rack

(3) trailer hitch