

### **Starter Button**

The starter button (Fig. 2-8) is below the engine stop switch. To start the engine, press the starter button (1), with the transmission in neutral, the ignition switch ON ( I ) and the engine stop switch (2) at RUN ( O ).

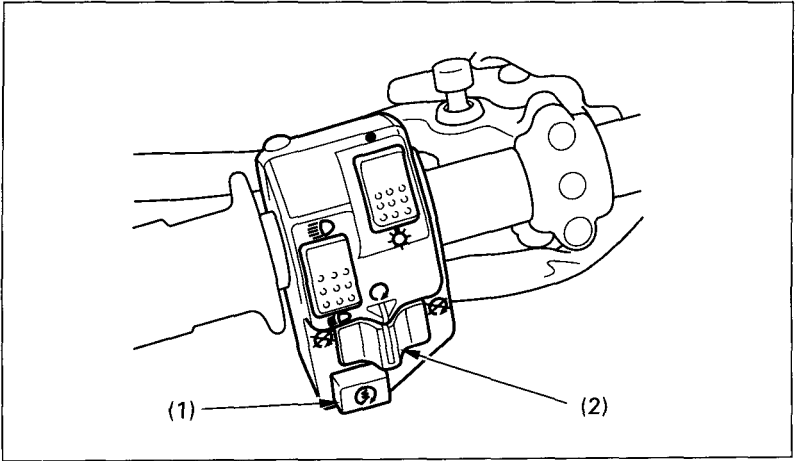


Fig. 2-8

(1) Starter button

(2) Engine stop switch