

To adjust the free play, turn the brake pedal adjusting nut ( 1 ), (Fig. 4-28 ), located on the brake operating rod at the rear of the frame. Make sure the cut-out on the adjusting nut is properly seated on the brake arm pin ( 3 ).

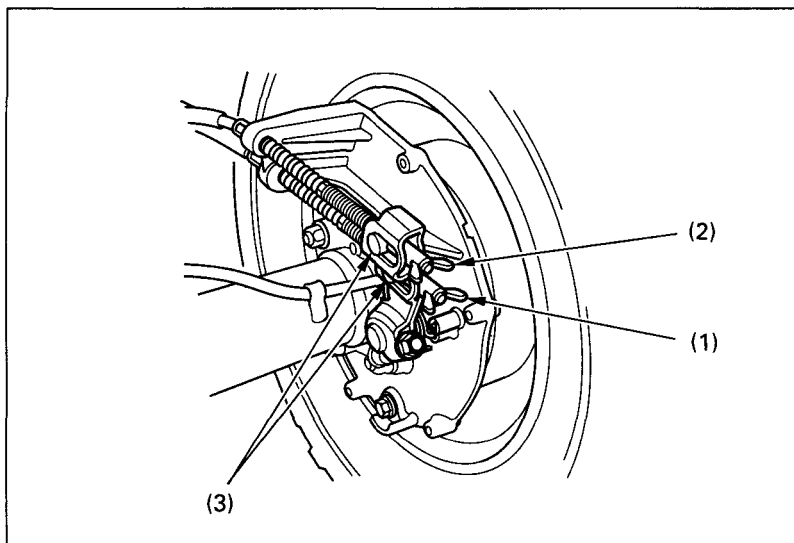


Fig. 4-28      (1) Brake pedal adjusting nut  
                  (2) Brake lever adjusting nut  
                  (3) Brake arm pin