

Tool Kit

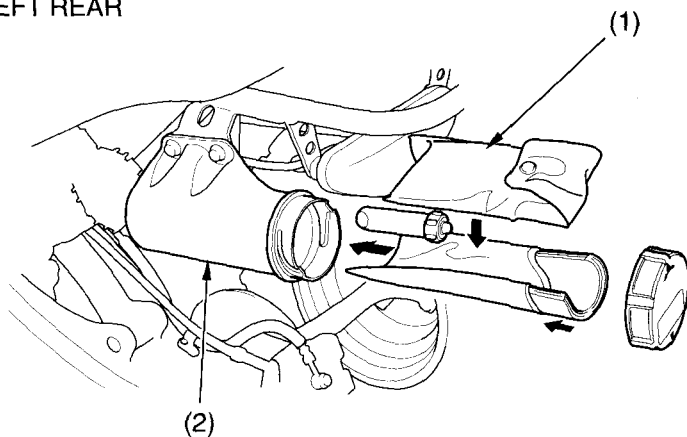
The tool kit (1) is stored in the storage compartment (2) below the rear fender.

The tools in the kit are sufficient to perform routine maintenance and simple repairs. Any extensive work requiring additional tools should be performed by your Honda dealer.

The tool kit includes the following items:

- * standard/Phillips screwdriver
- * screwdriver handle
- * 6 mm hex wrench
- * spark plug wrench
- * tool bag

LEFT REAR



(1) tool kit

(2) storage compartment