

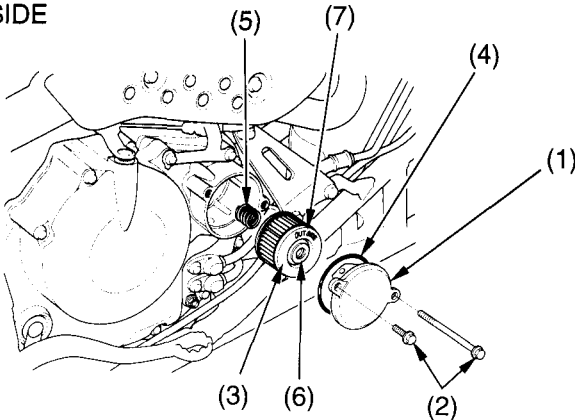
# Engine Oil & Filter

3. Reposition the spring (5) to the engine crankcase and install a new oil filter with the rubber seal (6) facing out, away from the engine. You will see the "OUTSIDE (TOWARDS FILTER COVER)" mark (7) on the filter body, near the seal.

## NOTICE

*Improper installation of the oil filter can cause serious engine damage.*

RIGHT SIDE



- (1) oil filter cover
- (2) bolts
- (3) oil filter
- (4) O-ring

- (5) spring
- (6) rubber seal
- (7) OUTSIDE mark

4. Reinstall the oil filter cover, making sure the bolts are tightened to the specified torque:  
10 N·m (1.0 kgf·m , 7 lbf·ft)
5. Pour the drained oil into a suitable container and dispose of it in an approved manner (page 168 ).

## NOTICE

*Improper disposal of drained fluids is harmful to the environment.*

(cont'd)