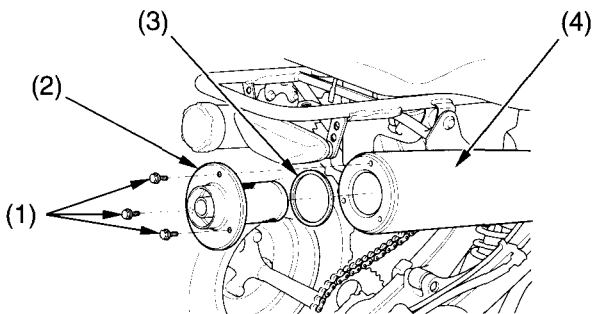


Spark Arrester

Refer to *Safety Precautions* on page 75.

The exhaust system must be periodically purged of accumulated carbon. To purge the system:

REAR



(1) bolts
(2) spark arrester

(3) gasket
(4) muffler

1. Allow the engine and muffler to cool.
2. Remove the bolts (1), the spark arrester (2), and the gasket (3) from the muffler (4).