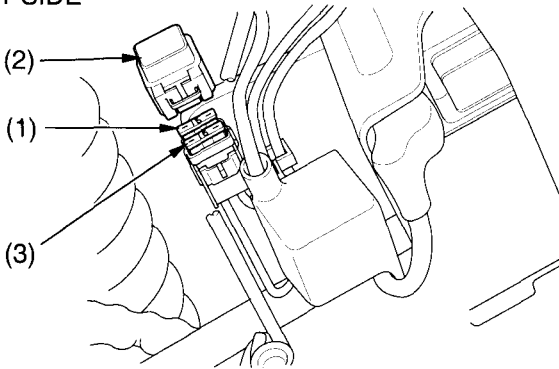


If a Fuse Blows

Main Fuse Access

1. To prevent an accidental short circuit, turn the ignition switch OFF (O) before checking or replacing the fuse.
2. Remove the seat (page 86).
3. To access the main fuse (1), remove the fuse case cover (2).

LEFT SIDE



(1) main fuse
(2) fuse case cover

(3) spare main fuse

4. Pull the main fuse out.
If it is blown, install the spare main fuse (3).
5. Reinstall the fuse case cover.
6. Install the seat.

If you do not have a replacement fuse with the proper rating for the circuit, install one with a lower rating.

NOTICE

Replacing a fuse with one that has a higher rating greatly increases the chance of damage to the electrical system.