

CLUTCH

Clutch Adjustment

Clutch adjustment may be required if the FOURTRAX stalls when shifting into gear, if it tends to creep, or if the clutch slips, causing acceleration to lag behind engine speed.

Normal clutch lever freeplay at the lever (1), (Fig. 4-19) is:

$3/8 - 13/16$ in (10 - 20 mm)

1. Pull back the dust cover (2), (Fig. 4-20). Loosen the lock nut (4) and turn the clutch cable adjuster (3). Tighten the lock nut (4) and check the adjustment.

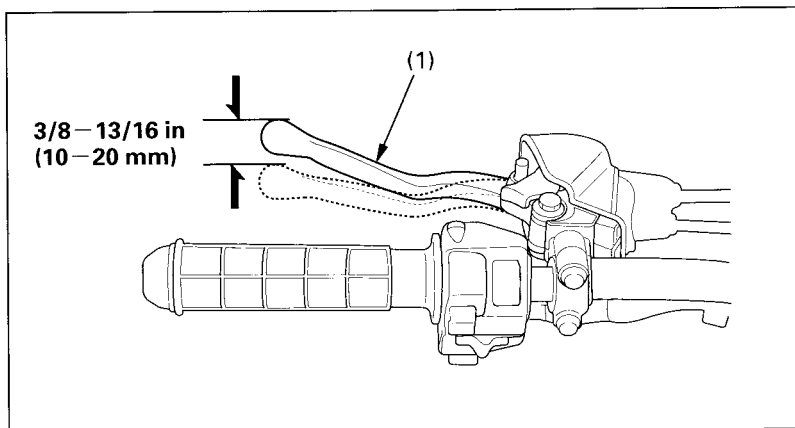


Fig. 4-19

(1) Clutch lever