

REAR

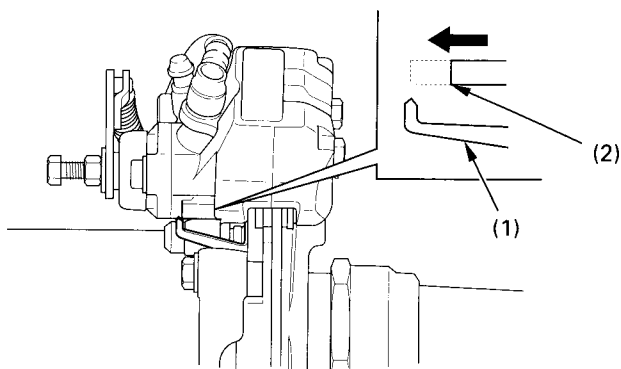


Fig. 4-27 (1) Wear indicator (2) Edge of reference mark

Other Checks:

1. Make sure there are no fluid leaks.
2. Check for deterioration or cracks in the hose and fittings.
3. The rear brake pedal pivot must be inspected according to the Maintenance Schedule.

See your authorized Honda dealer for this service.