

Starting Procedure (After Preparation)

To restart a warm engine, follow the procedure for High Air Temperature.

The starter motor will operate only when the transmission is in neutral.

Normal Air Temperature

10°–35 °C (50°–95 °F)

1. Move the choke lever left to the fully ON (A) position, if the engine is cold.
2. With the throttle closed, press the starter button.

CAUTION:

- * Pressing the electric starter button for more than 5 seconds at a time may cause the starter to overheat and damage the starter. Release the starter button for approximately 10 seconds before pressing it again.

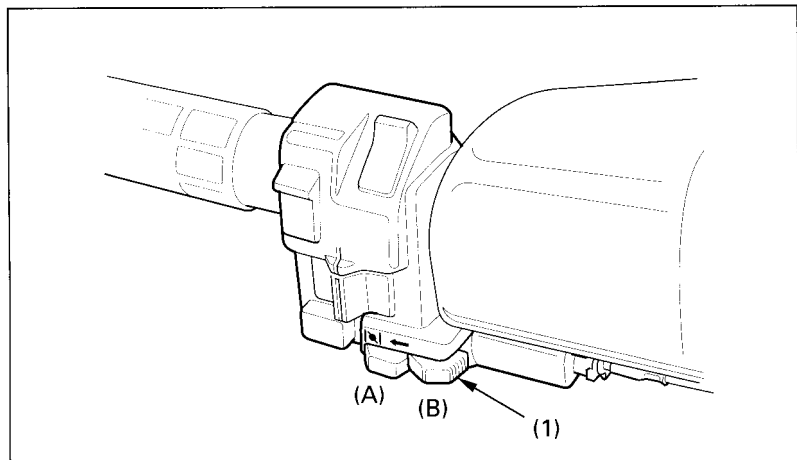


Fig. 3-9 (1) Choke knob

(A) Fully ON
(B) Fully OFF

3. Immediately after the engine starts, operate the choke lever to keep fast idle.
4. Continue warming up the engine until it runs smoothly and responds to the throttle with the choke lever in the fully OFF (B) position.
5. If idling is unstable, open the throttle slightly.