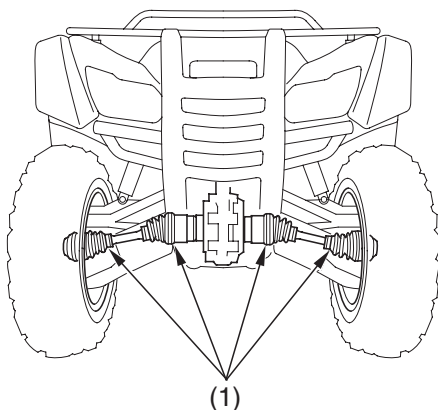


Drivetrain Boots

Driveshaft Boots (TRX420FM only)

Refer to *Safety Precautions* on page 89 .

FRONT



(1) rubber driveshaft boots

Check the rubber driveshaft boots (1) for damage or leaking grease. If necessary, have your Honda dealer replace them.