

PARTS LOCATION AND OPERATION

PARTS LOCATION

- (1) Rear brake lever
Parking brake
- (2) Headlight switch
Engine stop switch
Headlight dimmer switch
Starter button
Upshift switch
Downshift switch
- (3) Reverse selector knob
- (4) Fuel gauge
- (5) Choke knob
- (6) Ignition switch
- (7) Front brake lever
- (8) 2WD/4WD select switch
- (9) Throttle lever

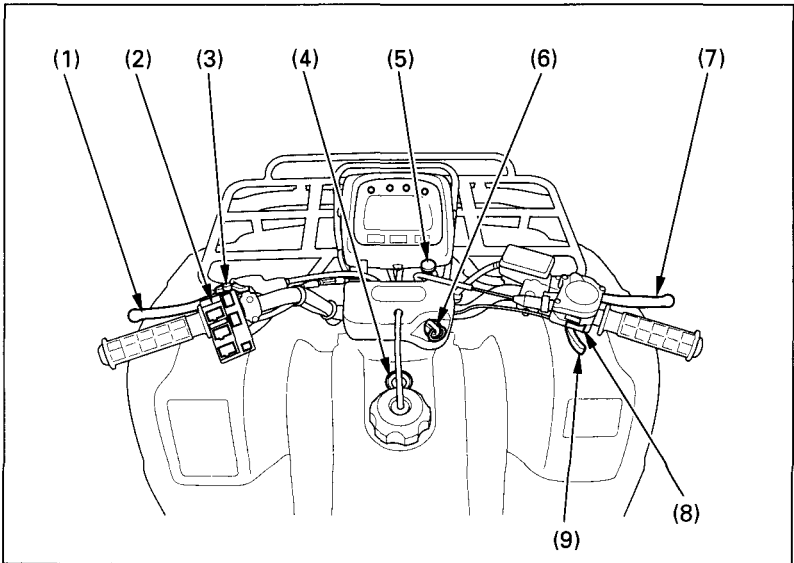


Fig. 2-1

Handlebars, from rider's point of view