

3. Remove the screws (1) (Fig. 4-5) and remove the air cleaner assembly (2) from the air cleaner housing.
4. Unscrew the clamp (3) and remove the mounting bracket (4).
5. Remove the air cleaner (5) from the air cleaner body (6).

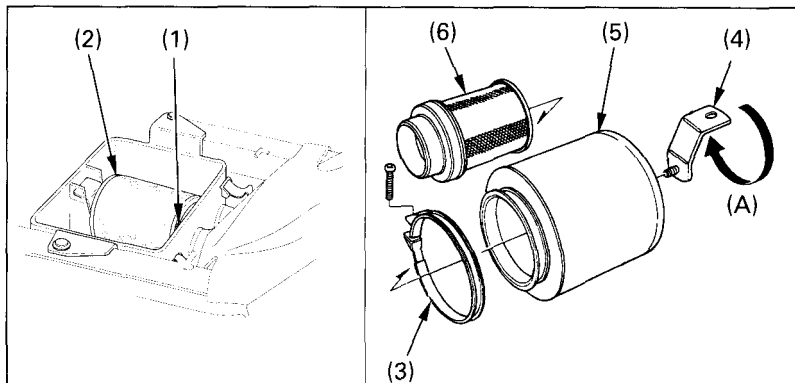


Fig. 4-5 (1) Screw (2) Air cleaner assembly (3) Clamp (4) Mounting bracket (5) Air cleaner (6) Air cleaner body (A) To release

6. Gently wash the air cleaner in clean, non-flammable (high flash point) solvent such as kerosene – not gasoline. Allow the air cleaner to dry thoroughly before applying oil. A wet air cleaner will not fully absorb the oil.

## ⚠ WARNING

### POTENTIAL HAZARD

Using gasoline or low flash point solvents for cleaning ATV parts.

### WHAT CAN HAPPEN

A fire or explosion could result.

### HOW TO AVOID THE HAZARD

Use only a nonflammable or high flash point solvent to clean ATV parts.