

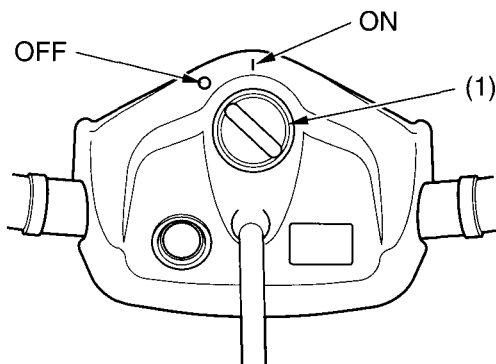
Controls & Features

Ignition Switch

The ignition switch is used for starting and stopping the engine (page 45). Insert the key and turn it to the right for the ON (|) position.

Key Position	Function
ON ()	Electrical circuits on.
OFF (○)	No electrical circuits function.

CENTER OF HANDLEBAR



(1) ignition switch

| ON
○ OFF