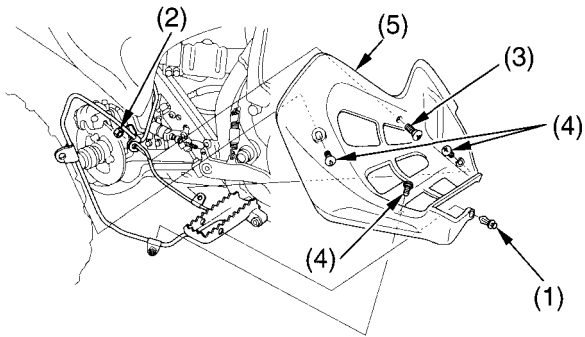


Right Side Mudguard Removal

Refer to *Safety Precautions* on page 71 .

The right side mudguard must be removed for adjust the rear brakelight switch.

RIGHT



(1) clip
(2) nut

(3) screw A
(4) screws B

(5) right side mudguard

Removal

1. Remove the clip (1), the nut (2), and screw A (3).
2. Remove the screws B (4) and right side mudguard (5).

Installation

Install the right side mudguard in the reverse order of removal.