

Tool Kit

The tool kit (1) is stored in the storage compartment (2) under the seat. After using the tools, be sure to use the rubber band (3) to fasten the tool kit securely.

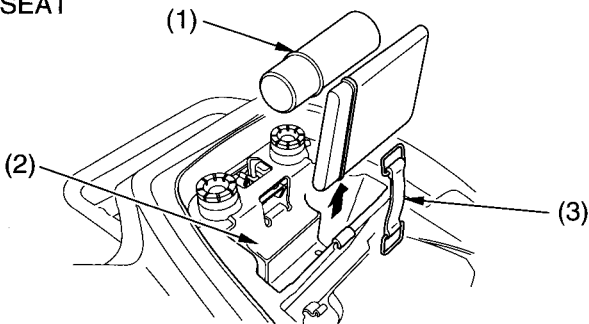
The tools in the kit are sufficient to perform routine maintenance and simple repairs. Any extensive work requiring additional tools should be performed by your Honda dealer.

To access the tool kit, remove the seat (see page 88), and then remove the rubber band.

The tool kit includes the following items:

- * spark plug wrench
- * 6 mm hex wrench
- * standard/Phillips screwdriver
- * screwdriver handle
- * 14 mm box end wrench
- * air pressure gauge
- * tool box

UNDER SEAT



(1) tool kit
(2) storage compartment

(3) rubber band