

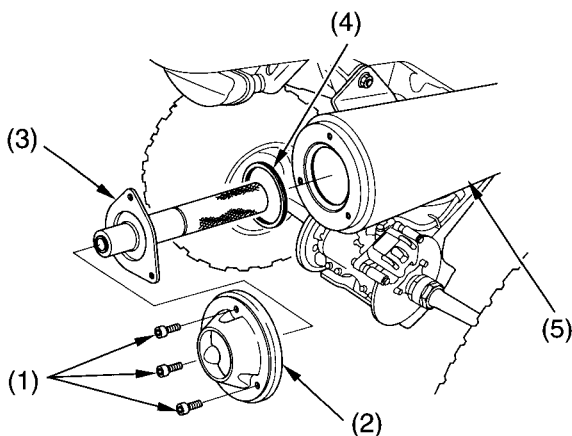
Spark Arrester

Refer to *Safety Precautions* on page 77 .

The exhaust system must be periodically purged of accumulated carbon. To purge the system:

1. Allow the engine and muffler to cool.
2. Remove the bolts (1), the muffler tail cover (2), the spark arrester (3), and the gasket (4) from the muffler (5).

REAR



- (1) bolts
(2) muffler tail cover
(3) spark arrester

- (4) gasket
(5) muffler