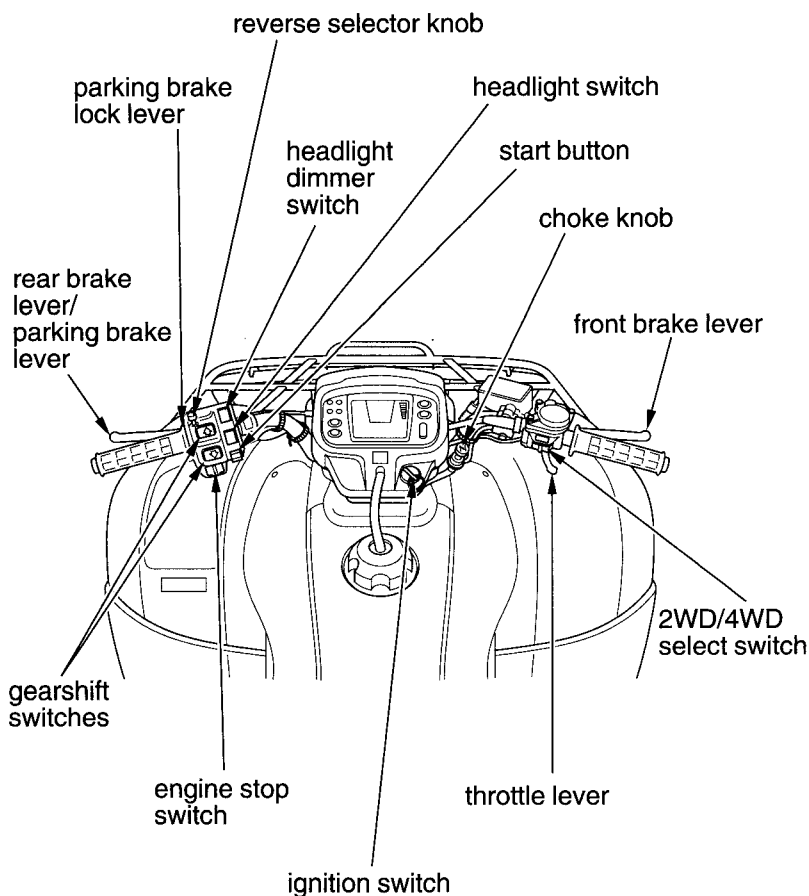
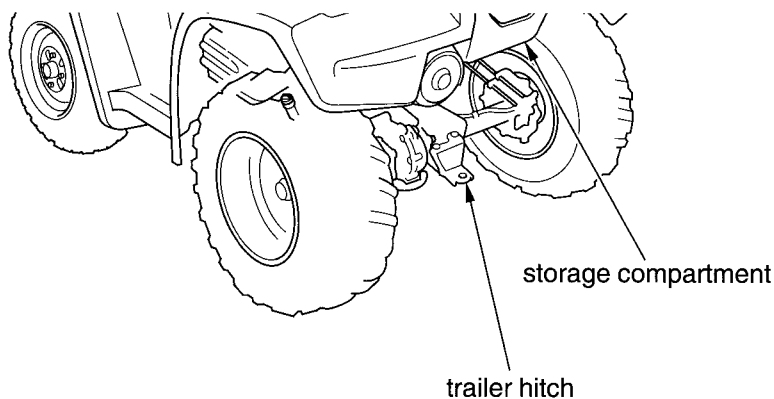


# Operation Component Locations



## Instruments & Controls 11



## Instruments & Controls 13