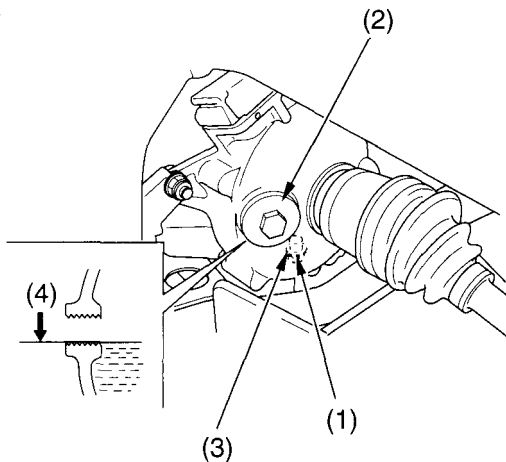


# Differential Oil

---

1. Park the ATV on level ground.
2. Place an oil drain pan under the oil drain plug ( 1 ).
3. Remove the oil filler cap ( 2 ), drain plug and sealing washer ( 3 ).
4. After the oil has completely drained, reinstall the drain plug with a new sealing washer and tighten it to the specified torque:  
12 N·m (1.2 kgf·m , 9 lbf·ft)
5. Fill the differential with the recommended oil.  
185 cm<sup>3</sup> (6.3 US oz , 6.5 Imp oz)  
Make sure the oil level is at the lower edge of the oil filler inspection hole ( 4 ).
6. Install the oil filler cap.

FRONT



(1) oil drain plug  
(2) oil filler cap

(3) sealing washer  
(4) oil filler inspection hole