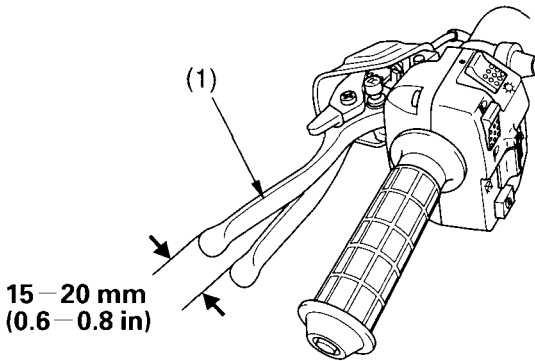


Brakes

Rear Brake Lever Freeplay

LEFT HANDLEBAR



(1) rear brake lever/parking brake lever

Inspection

Measure the distance the rear brake lever/parking brake lever (1) moves before the brake starts to take hold. Freeplay, measurement at the tip of the end of the brake lever, should be:

15–20 mm (0.6–0.8 in)

If necessary, adjust to the specified range.