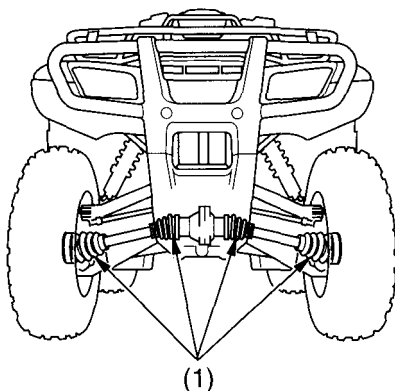


# Driveshaft Boots

---

Refer to *Safety Precautions* on page 93.

FRONT



(1) driveshaft boots

Check the rubber driveshaft boots ( 1 ) for damage or leaking grease. If necessary, have your Honda dealer replace them.