

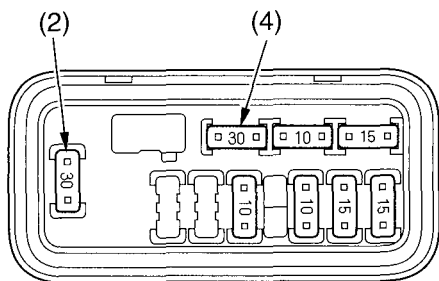
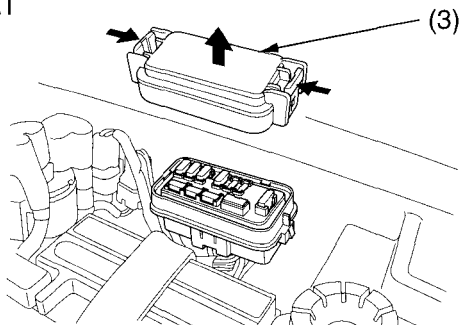
# If a Fuse Blows

---

## Main Fuse Access

1. To prevent an accidental short circuit, turn the ignition switch OFF (○) before checking or replacing the fuses.
2. Remove the seat (page 92).
3. To access the main fuse (2), remove the fuse box cover (3).

## UNDER SEAT



(2) main fuse

(4) spare main fuse

(3) fuse box cover

4. Pull the main fuse out.

If it is blown (1), install the spare main fuse (4).