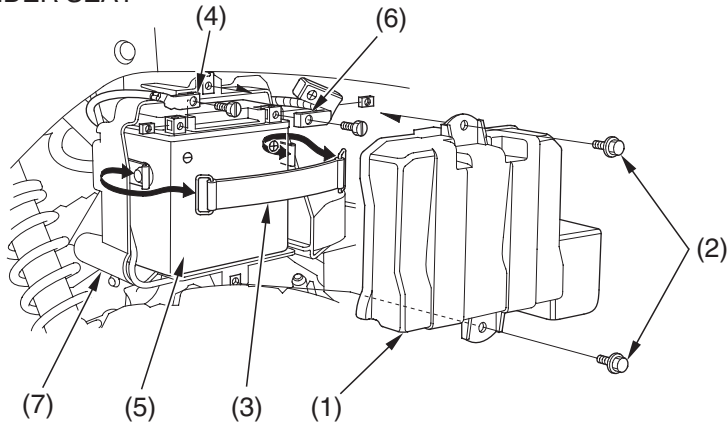




## Battery

The battery is located under the rear fender.

### UNDER SEAT



- |                                |                                |
|--------------------------------|--------------------------------|
| (1) battery cover              | (5) battery                    |
| (2) bolts                      | (6) positive (+) terminal lead |
| (3) rubber band                | (7) battery box                |
| (4) negative (-) terminal lead |                                |

### Removal

1. Make sure the ignition switch is OFF (  $\circ$  ).
2. Remove the battery cover ( 1 ) by removing the bolts ( 2 ).
3. Release the rings and remove the rubber band ( 3 ).
4. Disconnect the negative ( - ) terminal lead ( 4 ) from the battery ( 5 ) first, then disconnect the positive ( + ) terminal lead ( 6 ).
5. Remove the battery from battery box ( 7 ).

(cont'd)