

Tool Kit

The tool kit (1) is stored in the storage compartment (2) under the seat. To access the tool kit, remove the seat (see page 92).

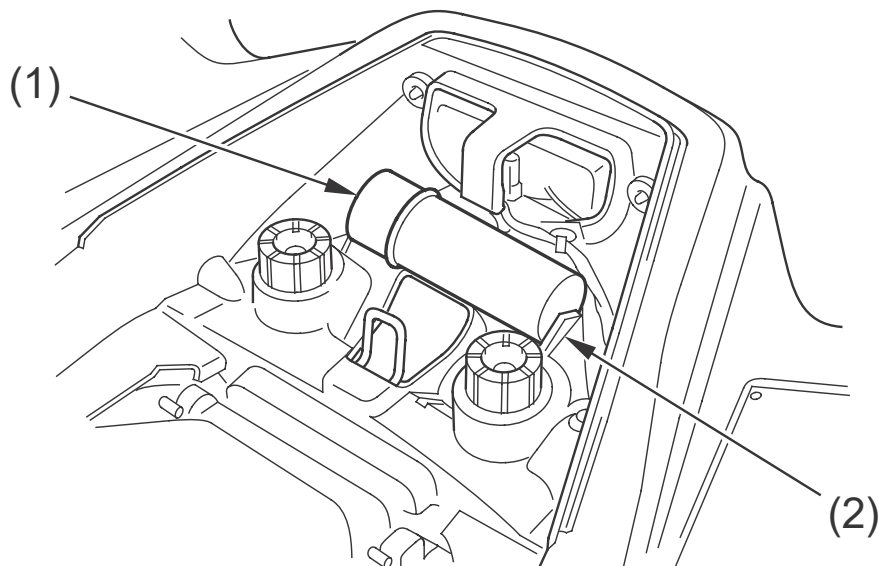
The air pressure gauge should be stored in the tool kit.

The tools in the kit are sufficient to perform routine maintenance and simple repairs. Any extensive work requiring additional tools should be performed by your Honda dealer.

The tool kit includes the following items:

- * spark plug wrench
- * standard/Phillips screwdriver
- * screwdriver handle
- * air pressure gauge
- * tool box

UNDER SEAT



(1) tool kit

(2) storage compartment