

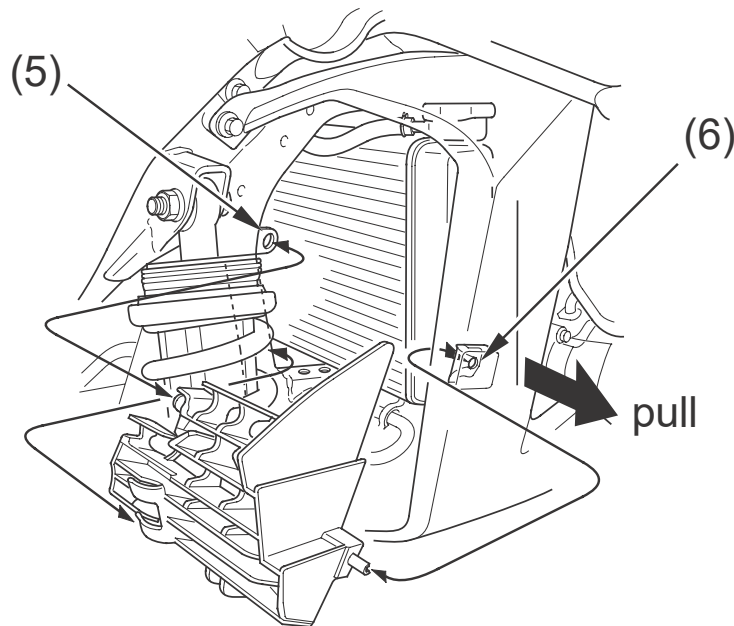
3. Wash the radiator grills and radiator core.

NOTICE

Do not apply pressured water directly to the radiator core. The pressured water can damage the radiator core.

4. Install the radiator grills in the reverse order of removal, then connect the bosses to the radiator grill mount bracket (5) and mount hole (6) on the front side cover.

LEFT SIDE (Right side similar)



(5) radiator grill mount bracket
(6) mount hole