

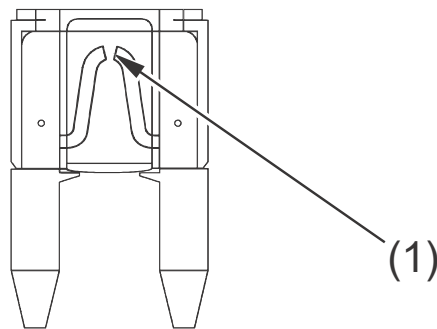
# If a Fuse Blows

---

All of the electrical circuits on your ATV have a fuse to protect them from damage caused by excess current flow (short circuit or overload).

If something electrical on your ATV stops working, the first thing you should check for is a blown fuse ( 1 ).

Check the fuse before looking elsewhere for another possible cause of the problem. Replace a blown fuse and check component operation.



(1) blown fuse

The main fuse and the circuit fuses are located in the battery compartment.

## Recommended Fuses

main fuse	30A
other fuses	15A × 2, 10A