

BRAKE CONTROLS

Front Brakes

The front brakes are operated by squeezing the front brake lever (1), near the right handgrip.

Rear Brake

The rear brake is operated by depressing the brake pedal (2) or by squeezing the rear brake lever (3).

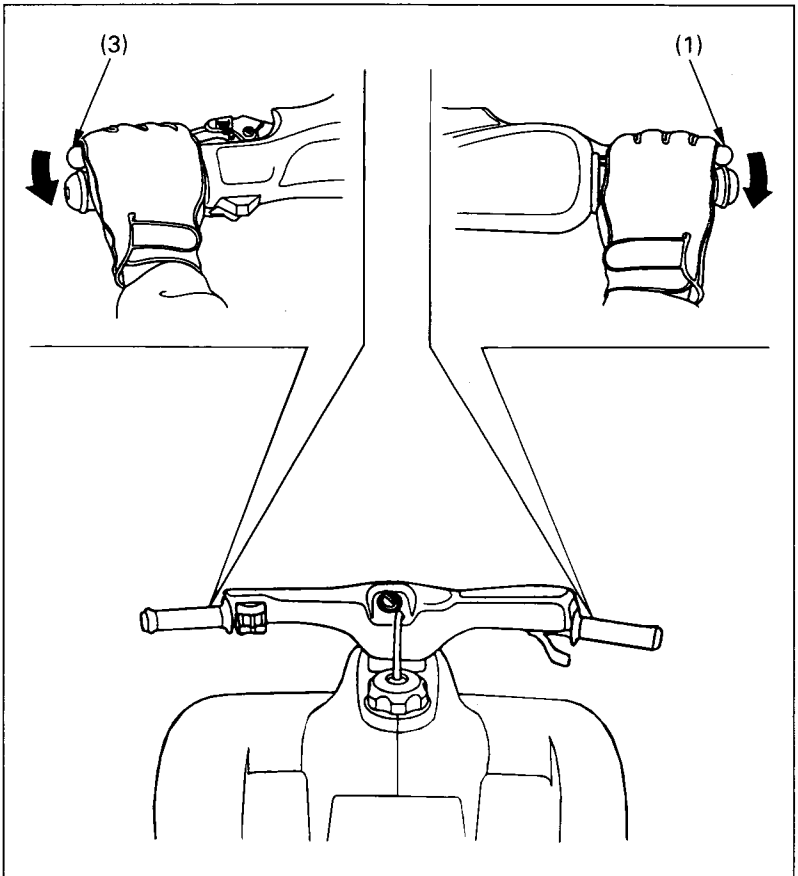


Fig. 2-12 (1) Front brake lever

(3) Rear brake lever