

ENGINE OIL

Oil Filler Cap/Dipstick

The oil filler cap/dipstick (Fig. 2-19), on the right crankcase cover, is used to measure the oil level. The oil should be checked each day before operating the Sportrax and maintained between the upper level mark (2) and the lower level mark (3).

For oil recommendations and instructions on checking, adding and changing oil, see pages 128–131.

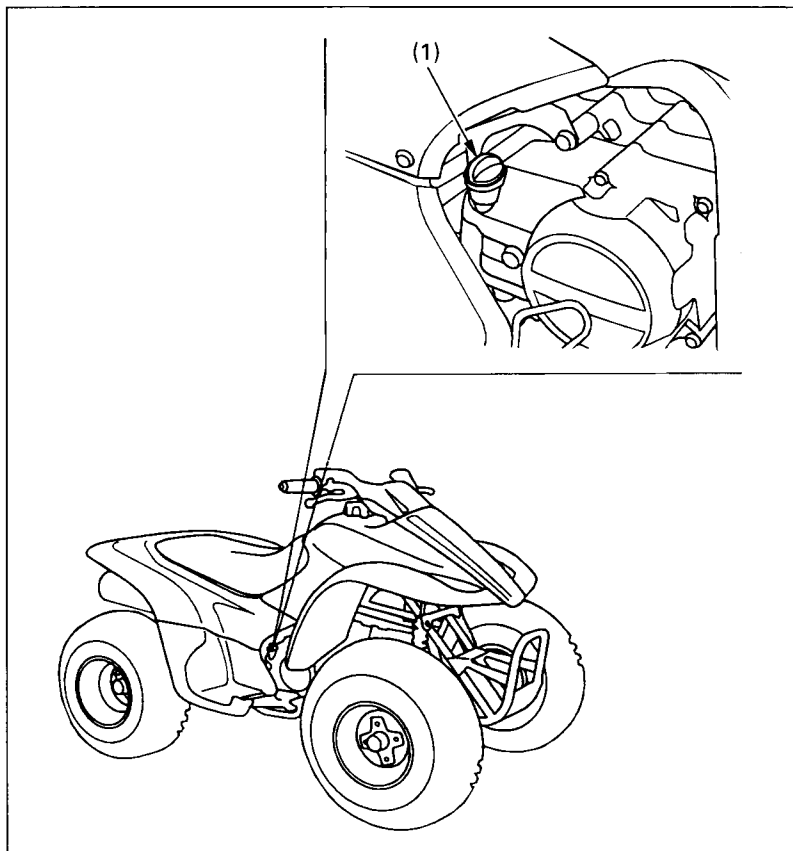


Fig. 2-19

(1) Oil filler cap/dipstick