

## THROTTLE

### Throttle Cable and Lever

Check the condition of the throttle cable and the operation of the throttle lever. Make sure the cable does not bind or interfere with smooth operation of the throttle in any steering position. If the cable is worn or kinked, have it replaced by your Honda dealer.

### Throttle Free Play

Throttle free play, measured at the tip of the throttle lever (Fig. 4-4), should be:

1/8 – 5/16 in (3 – 8 mm)

To adjust throttle free play:

1. Remove the fuel fill cap breather tube (1) from the handlebar cover.
2. Remove the two dust caps (2), the two screws (3) and the handlebar cover.

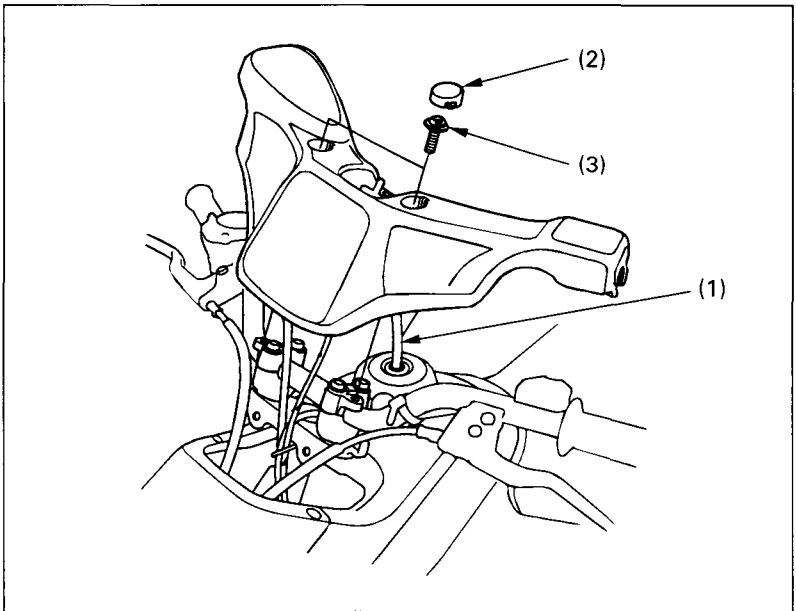


Fig. 4-3

(1) Fuel fill cap breather tube

(2) Dust caps  
(3) Screws