

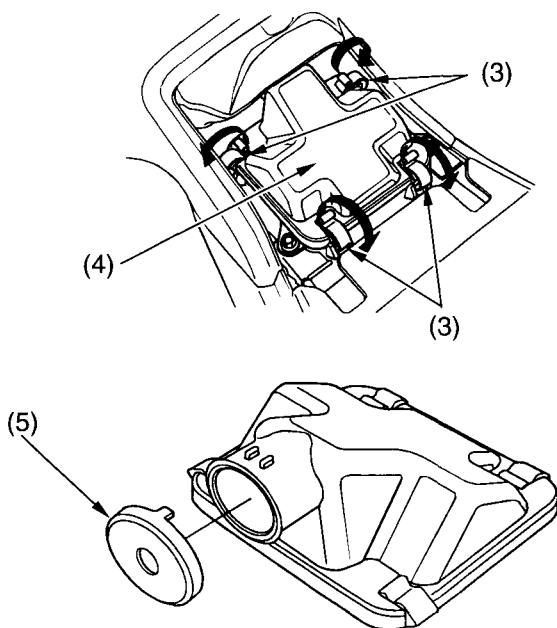
Safe Riding Precautions

Air Intake Restrictor Removal

1. Remove the seat (page 95).
2. Unlatch the four retainer clips (3).
3. Remove the air cleaner housing cover (4).
4. Remove the air intake restrictor (5).

Reinstall in the reverse order of removal.

UNDER SEAT



(3) retainer clips
(4) air cleaner housing cover

(5) air intake restrictor